



Sluitingen / Shackles

3. Harpsluitingen met moerbout / Bolt type anchor shackles

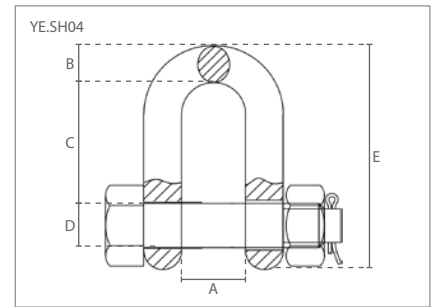
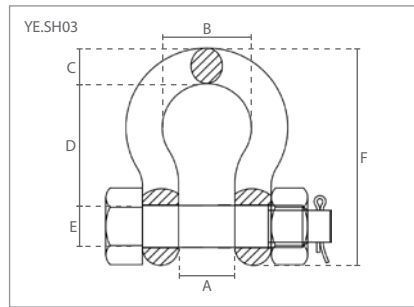
4. D-sluitingen met moerbout / Bolt type chain shackles

Eigenschappen

- » Volgens EN 13889 en U.S. Fed Spec RR-C-271.
- » Gesmeed en thermisch verzinkt.
- » Bedrijfstemperatuur: -20°C - +200°C
- » Geleverd met testcertificaat en CE-conformiteitsverklaring.

Features

- » According to EN 13889 and U.S. Fed Spec RR-C-271.
- » Forged and hot-dip galvanized.
- » Operating temperature: -20°C - +200°C
- » Supplied with test certificate and CE declaration of conformity.



3 Specifications / Specificaties				Afmetingen / Dimensions (mm)					
Artikel nummer	Capaciteit / Capacity	MBL	Gewicht / Weight	A	B	C	D	E	F
Article code	ton	ton	kg						
YE.EN03.001	1.00	6.00	0.2	17	26	10	36	11	64
YE.EN03.001.5	1.50	9.00	0.2	19	30	12	42	13	74
YE.EN03.002	2.00	12.00	0.4	21	34	14	47	16	85
YE.EN03.003.25	3.25	19.5	0.7	27	43	18	60	19	107
YE.EN03.004.75	4.75	28.5	1.2	32	51	21	71	22	127
YE.EN03.006.5	6.50	39.00	1.8	37	58	25	83	25	148
YE.EN03.008.5	8.50	51.00	2.7	43	69	27	95	28	167
YE.EN03.009.5	9.50	57.00	3.9	46	74	32	107	32	190
YE.EN03.012	12.00	72.00	5.7	52	83	35	122	35	210
YE.EN03.013.5	13.50	81.00	6.9	57	92	36	135	38	233
YE.EN03.017	17.00	102.00	8.9	61	98	41	145	42	254
YE.EN03.025	25.00	150.00	18	74	126	58	177	51	314
YE.EN03.035	35.00	210.00	25	83	146	61	195	57	348
YE.EN03.055	55.00	330.00	45	125	180	78	263	70	450
YE.EN03.085	85.00	510.00	69	140	195	80	320	82	545
YE.EN03.120	120.00	720.00							
YE.EN03.150	150.00	900.00							

4 Specifications / Specificaties				Afmetingen / Dimensions (mm)				
Artikel nummer	Capaciteit / Capacity	MBL	Gewicht / Weight	A	B	C	D	E
Article code	ton	ton	kg					
YE.EN04.001	1.00	6.00	0.2	17	10	30	11	59
YE.EN04.001.5	1.50	9.00	0.2	19	12	35	13	68
YE.EN04.002	2.00	12.00	0.3	21	13	40	16	77
YE.EN04.003.25	3.25	19.5	0.7	27	18	50	19	98
YE.EN04.004.75	4.75	28.5	1.1	32	21	55	22	117
YE.EN04.006.5	6.50	39.00	1.7	37	25	70	25	136
YE.EN04.008.5	8.50	51.00	2.4	43	27	80	28	153
YE.EN04.009.5	9.50	57.00	3.6	46	32	90	32	173
YE.EN04.012	12.00	72.00	5.0	52	35	100	35	191
YE.EN04.013.5	13.50	81.00	6.4	57	35	110	38	207
YE.EN04.017	17.00	102.00	8.1	61	41	120	42	230
YE.EN04.025	25.00	150.00	15.4	74	54	145	51	279
YE.EN04.035	35.00	210.00	22.9	83	61	170	57	325
YE.EN04.055	55.00	330.00						