

These compact hoists
are very suitable
for "Material-Handling"



TMM-140AE

SECTION 2

MATERIAL HANDLING

TMM-140AE

RED ROOSTER Compact Hoists are suitable for "Material-Handling". The pendant control is direct on the lower hook so the operator can control and position the load easy and direct. The perfect solution for horizontal movements is the combination with a push trolley.

STANDARD FEATURES:

- Pendant control direct on the lower hook
- Optimum load control, very precise positioning
- One-hand control
- Variable speed control
- Soft start and stop, no shock movements
- Handle can be positioned for left-hand or right-hand operation
- Endstop system

AVAILABLE OPTIONS:

See page 8

RECOMMENDED SMC AIR

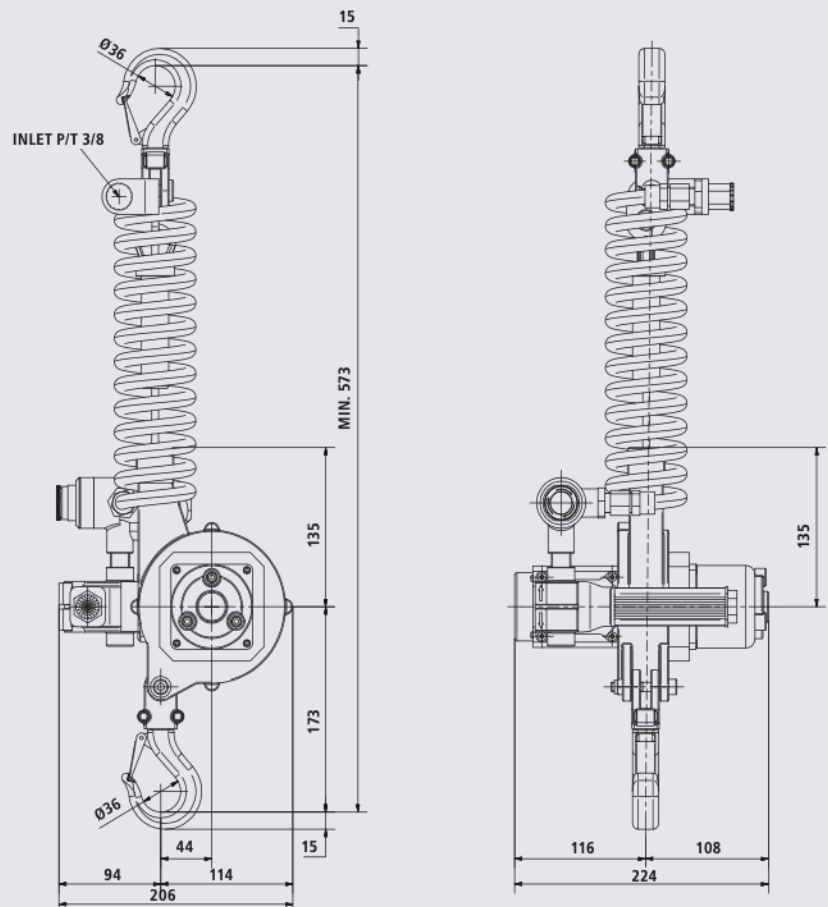
TREATMENT UNIT:

AC30-F03DM-8-B

WLL	Lifting speed with load	Air connection	Min hose diam.
140 kg	11.0 m/min	3/8" BSPT	1/2" hose
Lifting speed without load	Air consumption lifting	Air pressure	Falls
15 m/min	8 l/sec	0,4-0,63 MPa	1 (cable)
Total lift	Weight incl. 3 m lift	-	-
2 mtr	9,5 kg	-	-

Information subject to change without notice

DIMENSIONS IN MM



All measurements are in mm / Information subject to change without notice

BMI Hijsgereedschap
Grotestraat 32
5158 NB Heesbeen
info@hijsgereedschap.nl
www.hijsgereedschap.nl