

Due to the low weight  
these hoists are very suitable  
for service applications



TCR-500

P = PENDANT CONTROL



C = CORD CONTROL



ATEX MARKING



STANDARD ATEX:  
II 3 GD c IIA T4

Optional ATEX:  
II 2 GD c IIB T4  
II 2 GD c IIC T4

FROM OCTOBER 2019

STANDARD ATEX:  
GAS:  
II 3G Ex h IIA T4 Gc  
DUST:  
II 3D Ex h IIIA 135°C Dc

Optional ATEX:  
GAS:  
II 2G Ex h IIB T4 Gb  
DUST:  
II 2D Ex h IIIB 135°C Db

GAS:  
II 2G Ex h IIC T4 Gb  
DUST:  
II 2D Ex h IIIC 135°C Db

## SECTION 2

# MINI CHAIN HOISTS

TCR-250C | TCR-250DPE | TCR-500C2 | TCR-500DP2

Besides industrial use RED ROOSTER Mini Air Chain Hoists are very suitable for "Material Handling". Due to the low weight these hoists are also very suitable for service applications. For use in tank cleaning installations we recommend stainless steel chain.

### STANDARD FEATURES:

- Low weight and therefore very mobile, easy mounting
- Precise variable speed control
- Very compact design
- Robust aluminum housing
- Cord control or pendant control
- Low noise level (83 dBA)
- Mechanical endstop system

### AVAILABLE OPTIONS:

See page 8

### RECOMMENDED SMC AIR TREATMENT UNIT:

AC30-F03DM-8-B

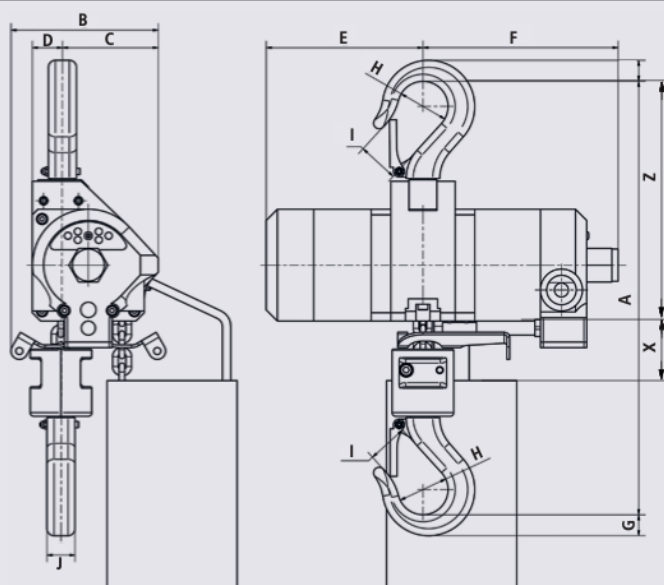
Model*	WLL	Lifting speed with load	Lifting speed without load	Lowering speed with load
TCR-250C	250 kg	9,3 m/min	19 m/min	17,9 m/min
TCR-250DPE	250 kg	8,1 m/min	17,2 m/min	13 m/min
TCR-500C2   TCR-500DP2	500 kg	4,6 m/min	9,5 m/min	9 m/min

Model*	Air consumption lifting	Air consumption lowering	Air connection	Minimum hose diam
TCR-250C	11,7 l/sec	15 l/sec	3/8" PT	1/2"
TCR-250DPE	11,7 l/sec	15 l/sec	3/8" PT	1/2"
TCR-500C2   TCR-500DP2	11,7 l/sec	15 l/sec	3/8" PT	1/2"

Model*	Air pressure	Weight with 3m hol	Additional metre hol	Chain falls
TCR-250C	0,4-0,63 MPa	7 kg	0,35 kg	1 (4 x 12 mm)
TCR-250DPE	0,4-0,63 MPa	7 kg	0,35 kg	1 (4 x 12 mm)
TCR-500C2   TCR-500DP2	0,4-0,63 MPa	9 kg	0,7 kg	2 (4 x 12 mm)

\*C = Cord control / DPE = Direct Pendant

DIMENSIONS IN MM



Model	A	B	C	D	E	F	G	HØ	I	J	X	Z
TCR-250C	305	105	69	22	112	140	15	35	22	20	40	170
TCR-250DPE	305	105	69	22	112	140	15	35	22	20	40	170
TCR-500C2   TCR-500DP2	360	118	83	35	112	140	15	36	22	20	40	180

All measurements are in mm / Information subject to change without notice