

Quality pneumatic hoists
for industrial and
offshore applications



TCR-1000

P = PENDANT CONTROL



C = CORD CONTROL



ATEX MARKING



STANDARD ATEX:
II 3 GD c IIA T4

Optional ATEX:
II 2 GD c IIB T4
II 2 GD c IIC T4

FROM OCTOBER 2019

STANDARD ATEX:
GAS:
II 3G Ex h IIA T4 Gc
DUST:
II 3D Ex h IIIA 135°C Dc

Optional ATEX:
GAS:
II 2G Ex h IIB T4 Gb
DUST:
II 2D Ex h IIIB 135°C Db

GAS:
II 2G Ex h IIC T4 Gb
DUST:
II 2D Ex h IIIC 135°C Db

SECTION 2

PNEUMATIC CHAIN HOISTS

TCR-1000 | TCR-2000/2

These RED ROOSTER Air Chain Hoists are especially developed with a robust cast steel body for heavy industrial use. The valve block is the same for the TCR-600250 - TCR-2000/2, which means: less spare parts required. Standard with load limiter.

STANDARD FEATURES:

- Precise variable speed control
- Optimum control of the load, very precise positioning
- Compact design
- Mechanical endstop system
- Load limiter built-in without loss of headroom
- Cord control or pendant control
- Low noise level (83 dBA)
- Air pressure 0,4 - 0,63 MPa

AVAILABLE OPTIONS:

See page 8

RECOMMENDED SMC AIR TREATMENT UNIT:

AC40-F04DM-8-B

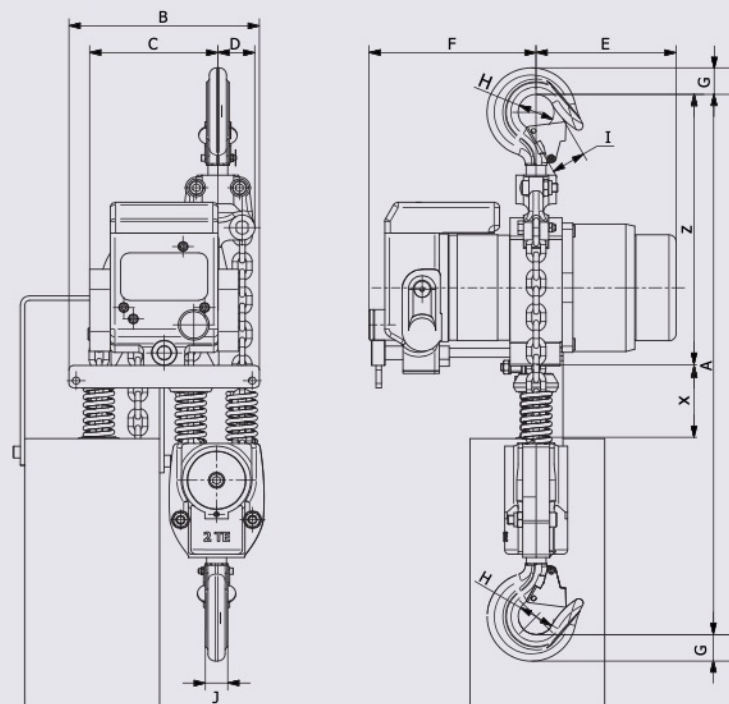
Model*	WLL	Lifting speed with load	Lifting speed without load	Lowering speed with load
TCR-1000C TCR-1000PE	1.000 kg	6 m/min	11,3 m/min	10,3 m/min
TCR-2000C2 TCR-2000P2E	2.000 kg	3 m/min	5,7 m/min	5,2 m/min

Model*	Air consumption lifting	Air consumption lowering	Air connection	Minimum hose diam
TCR-1000C TCR-1000PE	25 l/sec	28 l/sec	1/2" PT	1/2"
TCR-2000C2 TCR-2000P2E	25 l/sec	30 l/sec	1/2" PT	1/2"

Model*	Air pressure	Weight with 3m hol	Additional metre hol	Chain falls
TCR-1000C TCR-1000PE	0,4-0,63 MPa	34 kg	1,1 kg	1 (7,1 x 21 mm)
TCR-2000C2 TCR-2000P2E	0,4-0,63 MPa	39,7 kg	2,2 kg	2 (7,1 x 21 mm)

*C = Cord control / P = Pendant control

DIMENSIONS IN MM



Model	A	B	C	D	E	F	G	H Ø	I	J	X	Z
TCR-1000	485	212	116	40	156	186	29	40	29	25	100	250
TCR-2000	580	212	143	50	156	186	37	45	29	30	100	280

All measurements are in mm / Information subject to change without notice