

Quality pneumatic hoists  
for industrial and  
offshore applications

## SECTION 2

# PNEUMATIC CHAIN HOISTS

TCR-600250 | TCR-500 | TCR-1000/2

These RED ROOSTER Air Chain Hoists are especially developed with a robust cast steel body for heavy industrial use. The valve block is the same for the TCR-600250 - TCR-2000/2, which means: less spare parts required. Standard with load limiter (except TCR-600250).

### STANDARD FEATURES:

- Precise variable speed control
- Optimum control of the load, very precise positioning
- Compact design
- Mechanical endstop system
- Load limiter built-in without loss of headroom
- Cord control or pendant control

- Low noise level (83 dBA)
- Air pressure 0,4 - 0,63 MPa

### AVAILABLE OPTIONS:

See page 8

### RECOMMENDED

#### SMC AIR TREATMENT UNIT:

AC40-F04DM-8-B



TCR-500

P = PENDANT CONTROL



C = CORD CONTROL



ATEX MARKING



STANDARD ATEX:  
II 3 GD c IIA T4

Optional ATEX:  
II 2 GD c IIB T4  
II 2 GD c IIC T4

FROM OCTOBER 2019

STANDARD ATEX:  
GAS:  
II 3G Ex h IIA T4 Gc  
DUST:  
II 3D Ex h IIIA 135°C Dc

Optional ATEX:  
GAS:  
II 2G Ex h IIB T4 Gb  
DUST:  
II 2D Ex h IIIB 135°C Db

GAS:  
II 2G Ex h IIC T4 Gb  
DUST:  
II 2D Ex h IIIC 135°C Db

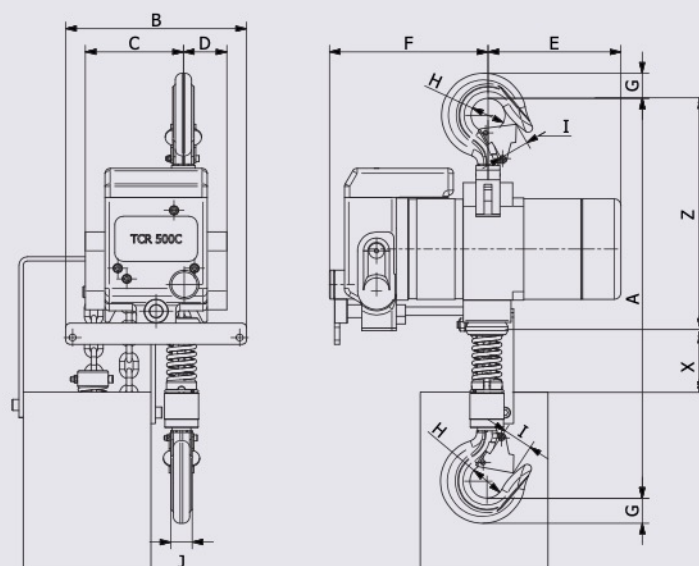
Model*	WLL	Lifting speed with load	Lifting speed without load	Lowering speed with load
TCR-600250C   TCR-600250PE	250 kg	10,5 m/min	20,5 m/min	17,9 m/min
TCR-500C   TCR-500PE	500 kg	10,5 m/min	20,5 m/min	17,9 m/min
TCR-1000C2   TCR-1000P2E	1.000 kg	5,3 m/min	9,5 m/min	9 m/min

Model*	Air consumption lifting	Air consumption lowering	Air connection	Minimum hose diam
TCR-600250C   TCR-600250PE	25 l/sec	27 l/sec	1/2" PT	1/2"
TCR-500C   TCR-500PE	25 l/sec	27 l/sec	1/2" PT	1/2"
TCR-1000C2   TCR-1000P2E	25 l/sec	27 l/sec	1/2" PT	1/2"

Model*	Air pressure	Weight with 3m hol	Additional metre hol	Chain falls
TCR-600250C   TCR-600250PE	0,4-0,63 MPa	31,1 kg	0,8 kg	1 (6,3 x 19,1 mm)
TCR-500C   TCR-500PE	0,4-0,63 MPa	31,1 kg	0,8 kg	1 (6,3 x 19,1 mm)
TCR-1000C2   TCR-1000P2E	0,4-0,63 MPa	35,2 kg	1,6 kg	2 (6,3 x 19,1 mm)

\*C = Cord control / P = Pendant control

DIMENSIONS IN MM



Type	A	B	C	D	E	F	G	HØ	I	J	X	Z
TCR-600250	460	212	115	51	156	186	29	40	29	29	100	250
TCR-500	460	212	115	51	156	186	29	40	29	25	100	250
TCR-1000	519	212	139	27	156	186	29	40	29	25	100	250

All measurements are in mm / Information subject to change without notice