

MATERIAL LIFTS

Strong, compact and versatile



Ideal for installation works

For installation works to ceilings or high walls, ALU-Material-Lifts hoist all kinds of different loads, such as ventilation ducts, glass panes, air-conditioning systems or pipe systems, accurately to the correct place. The lifts score with convenient transport options and quick, safe assembly.



Benefits at a glance

Incredible performance

- Maximum lifting height up to 7.49 m
- Pay loads up to 500 kg

Simple operation

- Assembly without tools
- Mechanical one-handed or optional double crank winch

Convenient transport

- Integrated loading castors facilitate loading into transporters or onto trailers
- Compact dimensions for the transportation through narrow corridors, standard doors or in lifts



ML The light device

- Smallest model with unladen weight of only 39 kg
- Carrying capacity of up to 100 kg
- Lifting height of up to 3.37 m
- For indoor use
- Compact design for the transport in the boot of the car



LMJ The allrounder

- Unladen weight only 55 kg
- Carrying capacity of up to 120 kg
- Lifting height of up to 3.89 m
- Easy handling and transport in car



LMC The compact lift

- Carrying capacity of up to 250 kg
- Lifting height up to 6.30 m
- Easy to transport thanks to small dimensions



LM The classic lift

- Carrying capacity of up to 300 kg
- Lifting height up to 7.49 m
- Re-issued series of the proven model
- Also available with electro-hydraulic drive (LH)



LMX The strong lift

- Carrying capacity of up to 500 kg
- Lifting height of up to 4.80 m
- Reinforced special profiles and high-performance winch



LM/LMX W The flexible lifts

- Carrying capacity of up to 300 / 500 kg
- Lifting height of up to 6.20 m / 4.80 m
- For work directly at walls and facades thanks to alternating chassis and counterweights
- Suction units available as an option
- Ideal for the glazing of walls and ceiling

For effortless assemblies

ALU-Material-Lift ML

The ML model is the lightweight among the ALU-Material-Lifts and an all-rounder for assembly works, e.g. in air-conditioning and ventilation system construction. Due to its extremely small design and a minimal unladen weight, the lift is easily transported and deployed virtually everywhere for loads up to 100 kg. It can be dismantled without much space and without tools and thus easily fits into the boot of a car.



ALU-Material-Lift LMJ

Everywhere where space is tight, the manoeuvrable ALU-Material-Lift LMJ demonstrates its strengths. With its small dimensions, it fits into staircases around every corner and can be transported to the place of use by just one person. Thanks to compact outriggers, the LMJ requires a wall clearance of only 15 cm and thus is suitable for applications such as the installation of awnings.



Small and compact for maximum flexibility

ALU-Material-Lift LMC

The ALU-Material-Lift LMC with its small transport width and low overall height is extremely space-saving and easy to manoeuvre. It fits through virtually any door and can also be transported in an upright position. During use, the LMC requires little space and can be optimally used on-site. At the same time, the units are convincing with high performance and extensive lifting heights. The operation of the lifts by way of manual winches is particularly simple and user-friendly.

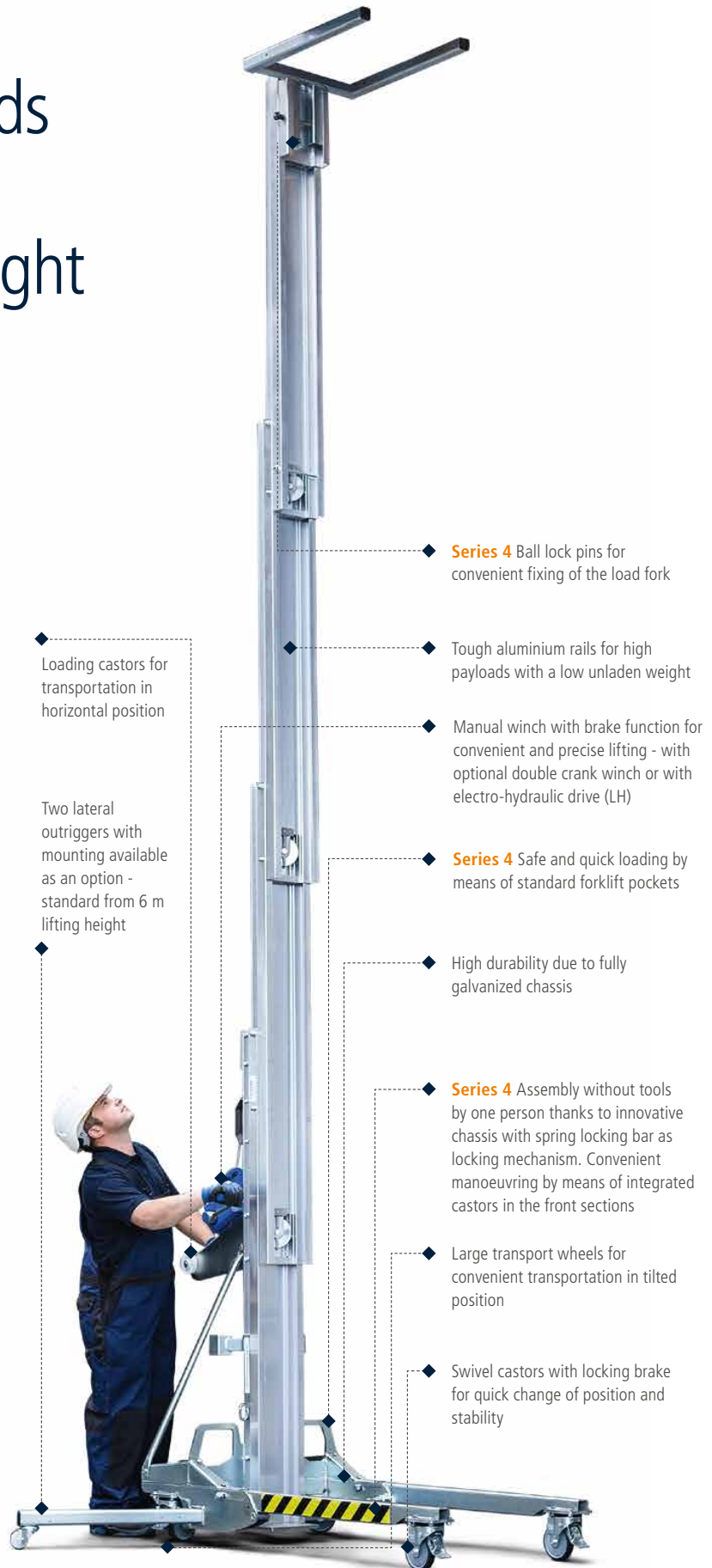




High payloads with a low unladen weight

ALU-Material-Lift LM

The ALU-Material-Lifts of the LM range are characterized by their compact and simple design, combined with above-average payloads and hoisting height. The lifts of the new series 4 (S4) score with convenient transport options and quick, safe assembly.

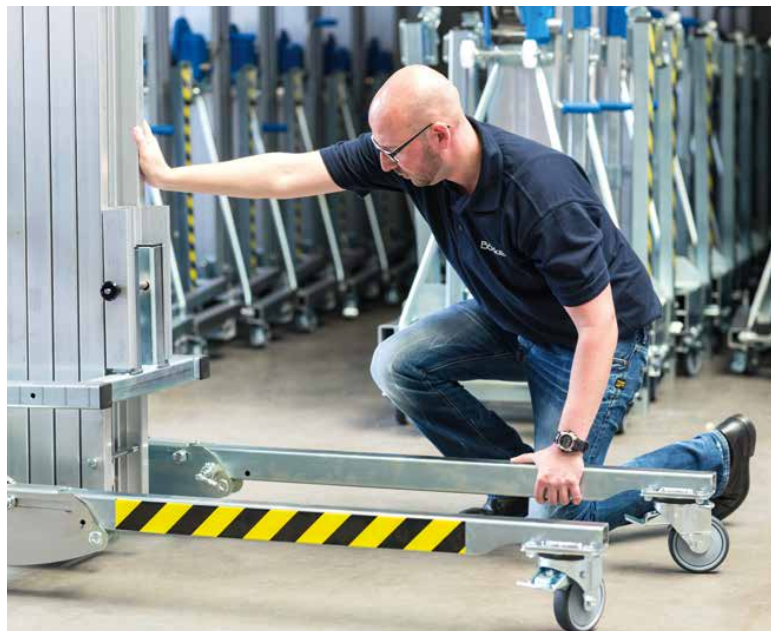


Quick assembly without tools



Benefits at a glance

- Operational safely and quickly thanks to short assembly times
- Easy assembly without tools by one person thanks to innovative chassis with spring locking bar as locking mechanism



Assembly of the front sections by means of plug-in connectors



Fixing of the locking brake at the swivel castor



Opening and fixing of front sections by means of spring locking bar



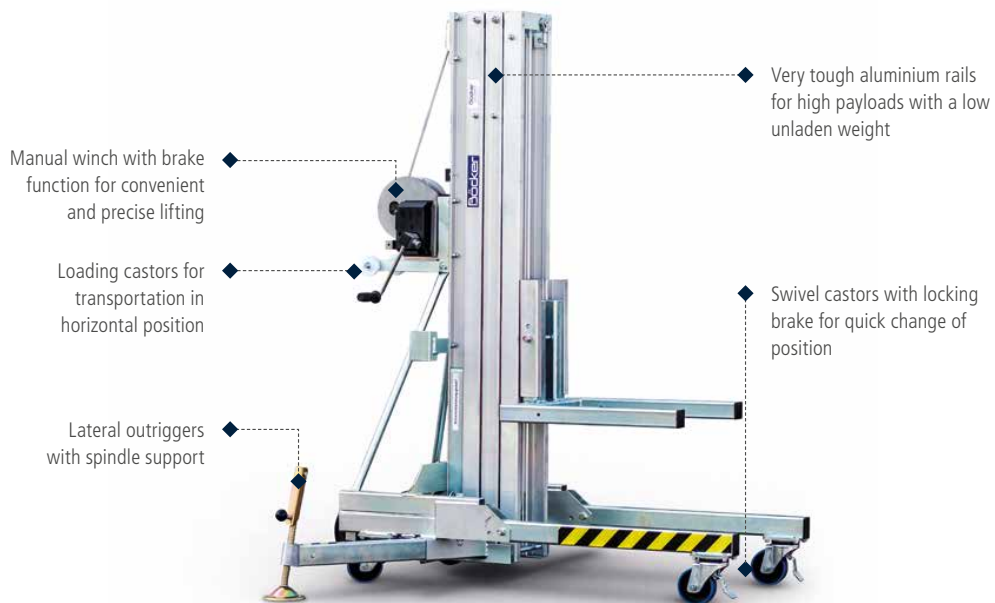
Assembly and fixing of the Load fork using ball lock pins



Maximum performance and flexibility

ALU-Material-Lift LMX

The ALU-Material-Lift LMX stands for particularly high performance. Thanks to extremely stable aluminium profiles and high-performance winches, it comfortably and safely lifts payloads up to 500 kg. At the same time, it is compact in design and reaches its place of deployment via a standard door.



ALU-Material-Lift LM/LMX W

The material lifts of the models LM/LMX W have an alternating chassis and enable placement directly at the wall or obstacles, thanks to short front outriggers. Due to this special construction, ALU-Lifts LM/LMX W are suitable in particular for the assembly of glass components.



Accessories and types of drive

The extensive range of accessories for the ALU-Material-Lifts leaves virtually nothing to be desired and custom-made products can also be provided.



Load hook / adapter with swivel hook for gas suction unit



Double crank winch



Lateral outriggers



Wooden platform



Mounting for lateral outriggers (from 5/6 m lifting height provided as standard)



Load fork extension



Electro-hydraulic drive (LH)



V-pipe holder



Electrical universal gas suction unit for upright or overhead glazing



Manual gas suction unit for upright glazing

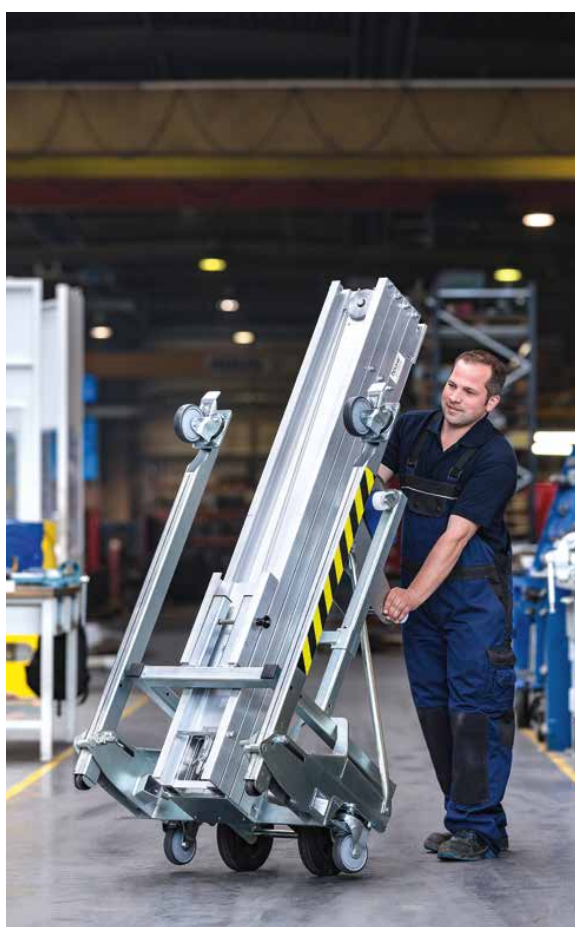


Manual gas suction unit for overhead glazing

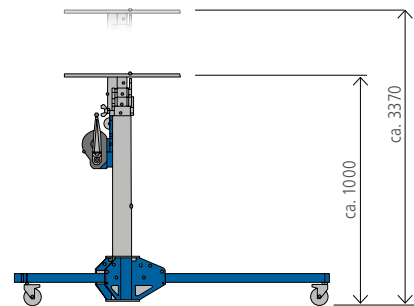
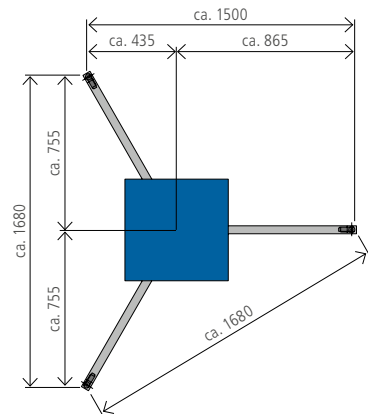
Easy transport

Benefits at a glance

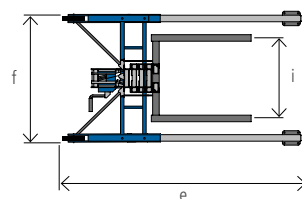
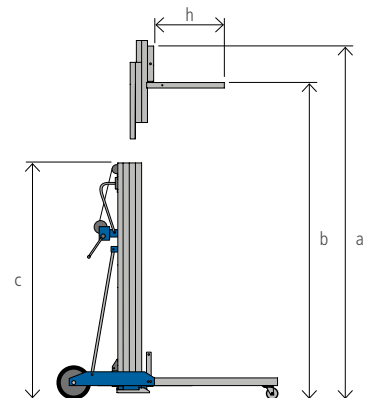
- Easy transport thanks to compact dimensions
- Loading castors at the winch holder for the transportation in horizontal position
- **Series 4** Manoeuvrable and easy to handle by way of integrated castors in the front sections
- **Series 4** Forklift pockets as standard



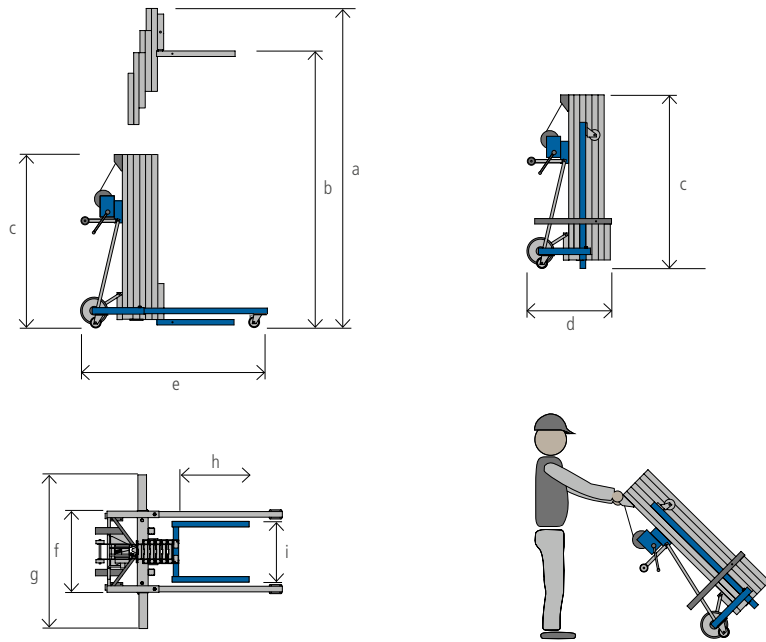
Technical specifications



Model		ML ¹⁾	LMJ ¹⁾
		350	390
Carrying capacity [kg]		100	120
Lifting height max. load fork top [mm]	a	3370	3890
Lifting height max. load fork bottom [mm]	b	–	3560
Load fork dimensions			
Length [mm]	h	–	500
Width [mm]	i	–	450
Dimensions for use			
Chassis width [mm]	f	1500	688
Chassis length [mm]	e	1680	1185
Transport dimensions			
Height of mast [mm]	c	1000	1650
Width [mm]	f	360	688
Length [mm]	d	400	625
Unladen weight			
without lateral outriggers and with fixed attachments [kg]		39	55
with lateral outriggers and fixed attachments [kg]		–	57

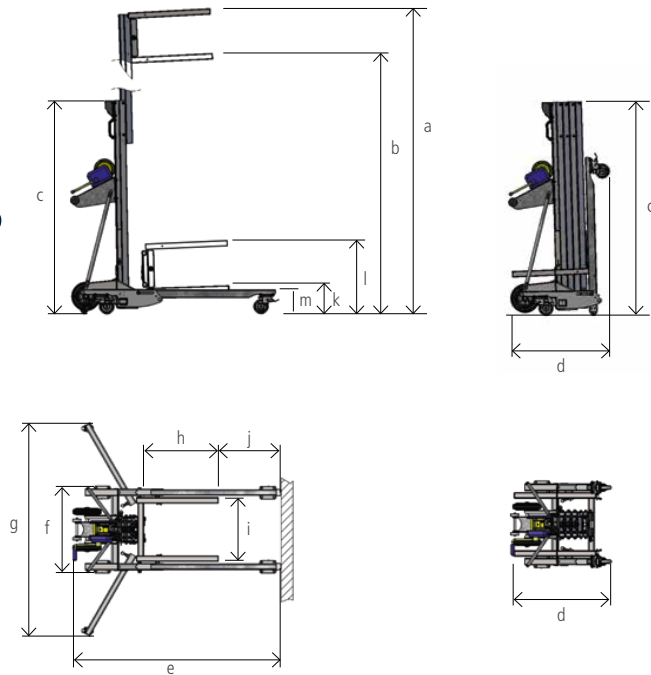


¹⁾ Mechanical drive * Lateral outriggers with fixed mounting as standard
Subject to modifications to construction, weight and dimensions



Model	LMC ¹⁾							
		280	300	380	450	500*	600*	620*
Carrying capacity [kg]		250	250	250	250	250	250	250
Lifting height max. load fork top [mm]	a	2732	3304	3918	4725	5073	6219	6192
Lifting height max. load fork bottom [mm]	b	2347	2919	3533	4340	4688	5834	5807
Lifting height min. load fork top [mm]	l	455	475	477	480	475	490	477
Lifting height min. load fork bottom [mm]	k	83	90	90	97	95	110	98
Front section height [mm]	m	180	180	180	180	180	180	180
Load fork dimensions								
Length [mm]	h	650	650	650	650	650	650	650
Width [mm]	i	560	560	560	560	560	560	560
Dimensions for use								
Chassis width [mm]	f	760	760	760	760	760	760	760
Chassis length [mm]	e	1470	1470	1470	1470	1590	1590	1730
Width with lateral outriggers [mm]	g	1420	1420	1420	1420	1420	1420	1420
Transport dimensions								
Height of mast [mm]	c	1550	1886	1600	1886	1635	1915	1600
Width [mm]	f	760	760	760	760	760	760	760
Length [mm]	d	720	720	720	720	720	720	780
Unladen weight								
without lateral outriggers and with fixed attachments [kg]		98	103	114	121	134	145	153
with lateral outriggers and fixed attachments [kg]		–	–	–	–	139	149	157

Technical specifications

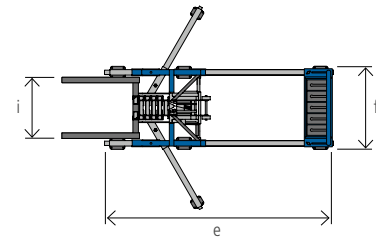
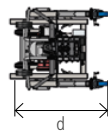
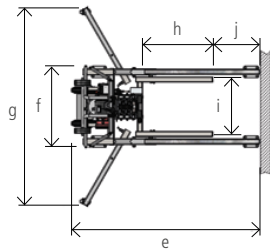
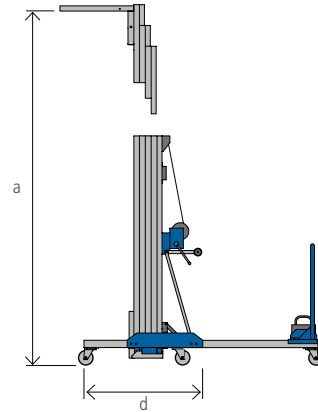
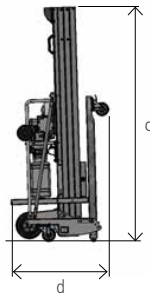
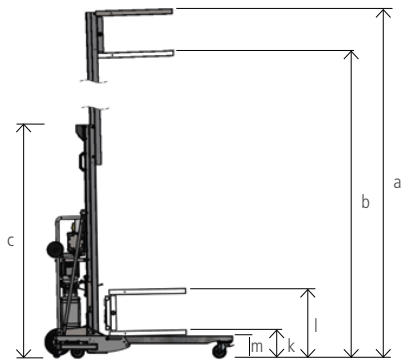


Model	LM S4 ¹⁾						LMX ¹⁾³⁾	
	330	400	475	575	620*	750*	500*	
Carrying capacity [kg]	300	300	300	300	300	300	500	
Lifting height max. load fork top [mm]	a	3315	3975	4765	5735	6200	7485	4800
Lifting height max. load fork bottom [mm]	b	2945	3585	4385	5345	5825	7105	4350
Lifting height min. load fork top [mm]	l	620	620	620	620	620	620	4850
Lifting height min. load fork bottom [mm]	k	245	245	245	245	245	245	4365
Front section height [mm]	m	212	212	212	212	212	212	240
Load fork dimensions								
Length [mm]	h	650	650	650	650	650	650	650
Width [mm]	i	560	560	560	560	560	560	560
Wall clearance load fork [mm]	j	280	280	430	430	375	495	220
Dimensions for use								
Chassis width [mm]	f	760	760	760	760	760	760	760
Chassis length [mm]	e	1550	1550	1755	1755	1755	1870	1610
Width with lateral outriggers [mm]	g	1875	1875	1875	1875	1875*	1875*	1920
Transport dimensions								
Height of mast [mm]	c	1875	2195	1875	2195	1875	2195	1970
Width [mm]	f	760	760	760	760	760	760	760
Length [mm]	d	925	925	905	905	825	825	765
Unladen weight								
Without lateral outriggers and with fixed attachments [kg]		141	146	165	172	173	185	205
With lateral outriggers and fixed attachments [kg]		163	168	167	194	193	205	218
Weight of ballast weights [kg]		-	-	-	-	-	-	-

¹⁾ Mechanical drive

²⁾ Electro-hydraulic drive

³⁾ Lateral outriggers with spindle support



LH 54²⁾

330	400	475	575	620*	750*
300	300	300	300	300	300
3315	3975	4765	5735	6200	7485
2945	3585	4385	5345	5825	7105
642	642	642	642	664	644
252	252	252	252	275	275
212	212	212	212	212	212
650	650	650	650	650	650
560	560	560	560	560	560
280	280	430	430	375	495
760	760	760	760	760	760
1550					
1550	1875	1875	1875	1875	1875
1875	2195	1875	2195	1875	2195
760	760	760	760	760	760
925	925	905	905	825	825
200	205	224	227	239	251
215	220	239	242	252	264
-	-	-	-	-	-

LM¹⁾

LMX¹⁾³⁾

620 W*	500 W*
300	500
6210	4800
5860	4350
6204	4845
5831	4360
240	240
650	650
560	560
-440	-395
790	790
1910	1910
1670	1920
1890	1980
760	760
950	950
215	253
227	266
100	200

* Lateral outriggers with fixed mounting provided as standard
Subject to modifications to construction, weight and dimensions