





### Technical data

General characteristics		
Compliant to standards		IEC / EN60947-5-1
Material		ABS
Material Group		II
Pollution class		3
Temperature	operating storage	-25°C ... +70°C -30°C ... +70°C
Cable entry		rubber cable sleeve Ø 9 ... 24 mm

Electrical characteristics - Contact blocks		
Marking		CE ENEC EAC CCC cULus CB
Rated insulation voltage [Ui]		690 V *
Rated impulse withstand voltage [Uimp]		4 kV *
Frequency		50/60 Hz *
Rated thermal current [Ith]		16 A *
Rated thermal current in enclosure [Ithe]		10 A
<b>Rated operational current [Ie]</b>		
AC-15 alternate current	type: PL0040..	24 V 16 A * 60 V 12 A 120 V 8 A 240 V 6 A 400 V 4.5 A 440 V 3.5 A 500 V 3 A * 690 V 1 A
DC-13 direct current	type: PL0040..	24 V 2 A * 48 V 1.2 A 60 V 0.85 A 110 V 0.4 A 220 V 0.25 A *
Conditional short circuit withstand current		1000 A *
Fuses rating gG		10 A * - 500 V
Contact insulation resistance		≤ 25 mΩ
Switching mechanism	type: PL0040..	slow break double gap contacts
Positive operation		NC contact blocks - positive opening
Operating force		4 N
Electric durability AC-15		1 A 1.5 millions of cycles 2 A 0.5 millions of cycles 3 A 0.25 millions of cycles
Terminal type	type: PL0040..	M3.5 screw terminals
Terminal capacity	type: PL0040..	N° 1 or 2 flexible and solid conductor 1 ... 2.5 mm²
Climate resistance	IEC68 part 2-3 IEC68 part 2-30	damp heat, steady state damp heat, cyclic

UL508 characteristics		
Rated insulation voltage [Ui]		10 A - 600 V ac / 2.5 A - 125 V dc
Rated impulse withstand voltage [Uimp]		A600-Q600

\* IMQ approved values

# PLN05

## Pendant control station

PENDANT STATIONS

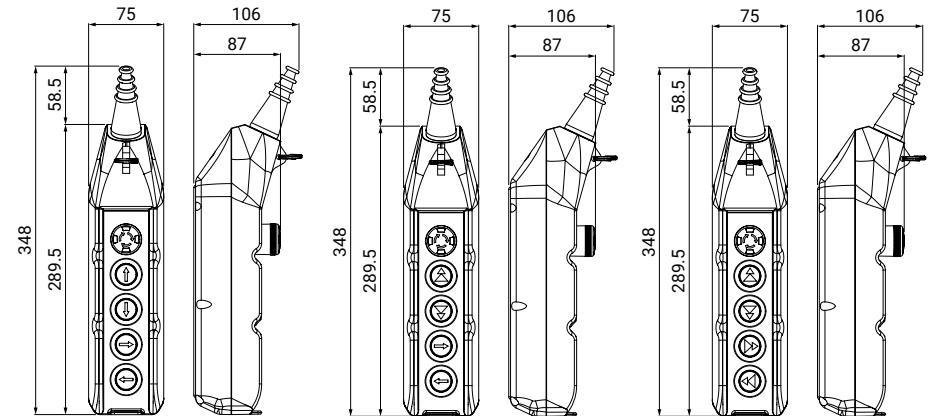
### Available codes



**PLN05**

**PLN05D2**

**PLN05D4**



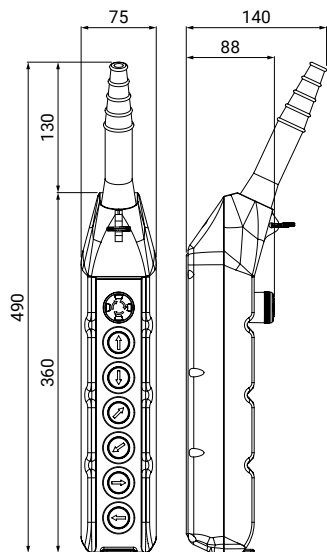


**GIOVENZANA**  
INTERNATIONAL B.V.

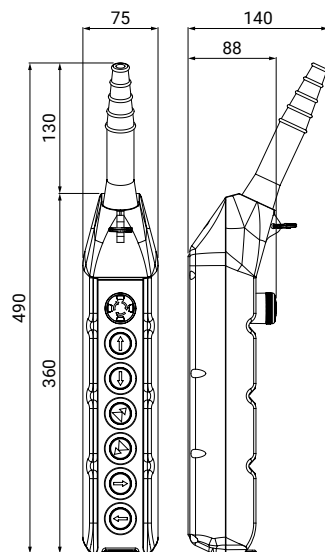
Available codes



**PLN07**



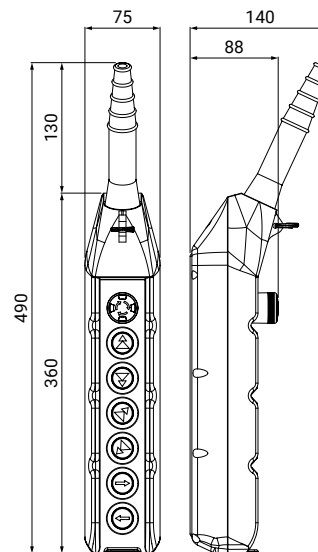
**PLN07D2**



Available codes



**PLN07D4**



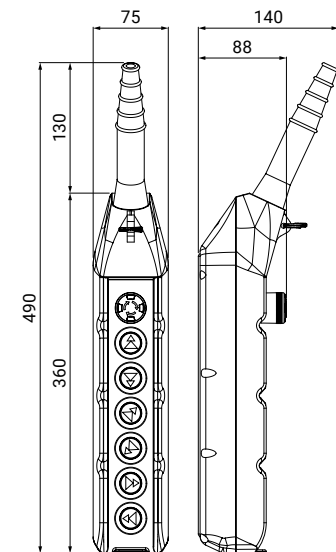
**PLN07**

Pendant control station

PENDANT  
STATIONS



**PLN07D6**





**GIOVENZANA**  
INTERNATIONAL B.V.

Available codes

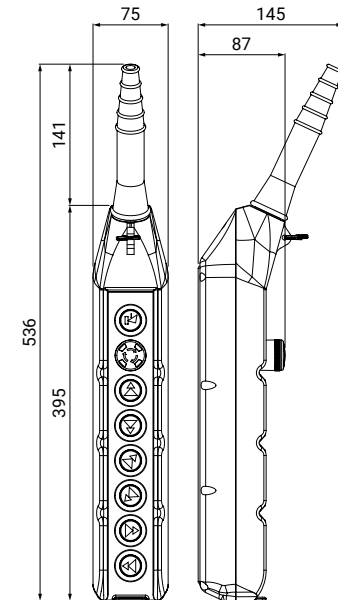
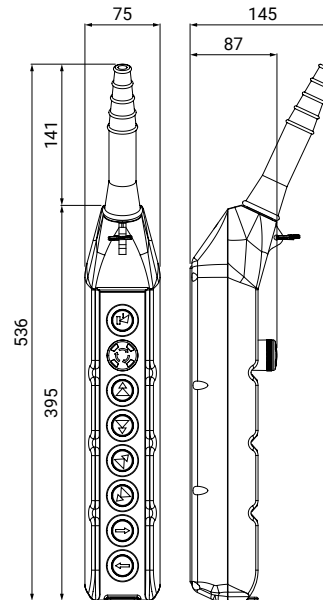
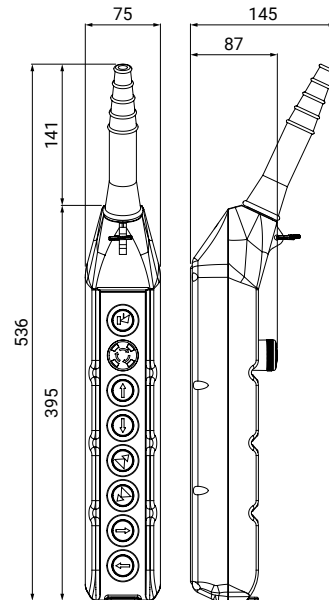
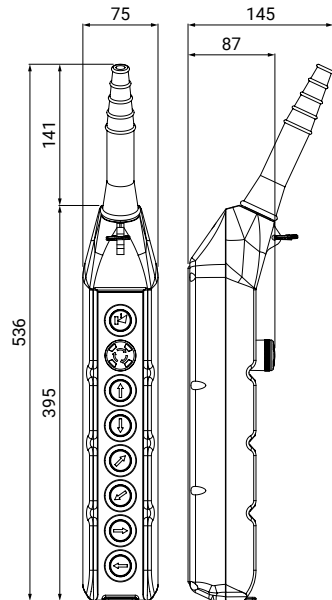


**PLN08**

**PLN08D2**

**PLN08D4**

**PLN08D6**



**PLN08**  
Pendant control station

PENDANT  
STATIONS

Available codes